

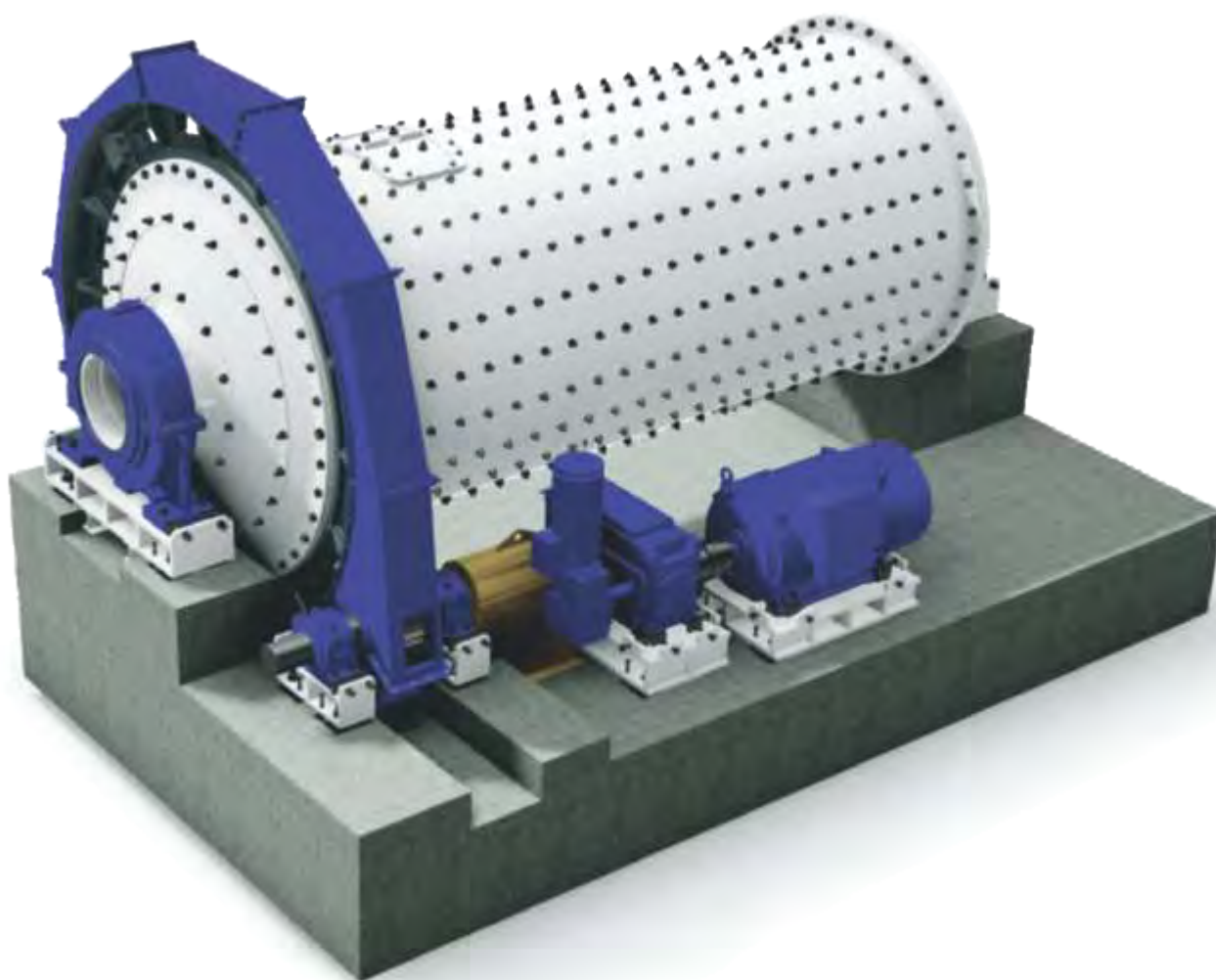
**ecutec**<sup>®</sup>

A Company of NETZSCH Group

# TAURUS

Finest in Processing

BALL MILL FOR FINE AND ULTRAFINE PRODUCTS



# ECUTEC's TAURUS is the latest technology in Mills using Grinding Media for comminution



Different Steel Grinding Media



Different Ceramic Grinding Media



Ceramic Ball Mill with Ceramic Grinding Media

A rotating robust steel drum with liners is supplying kinetic energy to grinding media inside the mill. These grinding media are crushing and grinding fresh product due to impact and friction. The lining as well as the grinding media can be made out of hard wear resistant high manganese/chromium steel, ceramic or silex. Besides these standard linings other materials are available for special industries.

The **TAURUS** has several available configurations depending on the application and mill size. ECUTEC also carries an extensive selection of special grinding media to optimize the performance of the ball mill specific to the customer's requirements. Together with ECUTEC classifiers, the **TAURUS** provides a wide range of finenesses with top cuts down to  $d_{98} < 2 \mu\text{m}$  and up to  $300 \mu\text{m}$ .

Due to high manufacturing quality, a long life-time and a low maintenance are guaranteed.

The **TAURUS** is the solution for fine to ultra fine processing of a wide variety of materials including, but not limited to:

- Calcium Carbonate
- Dolomite
- Abrasives
- Talc
- Barite
- Coal
- Aluminium Oxide
- Silica
- Zircon Oxide, etc

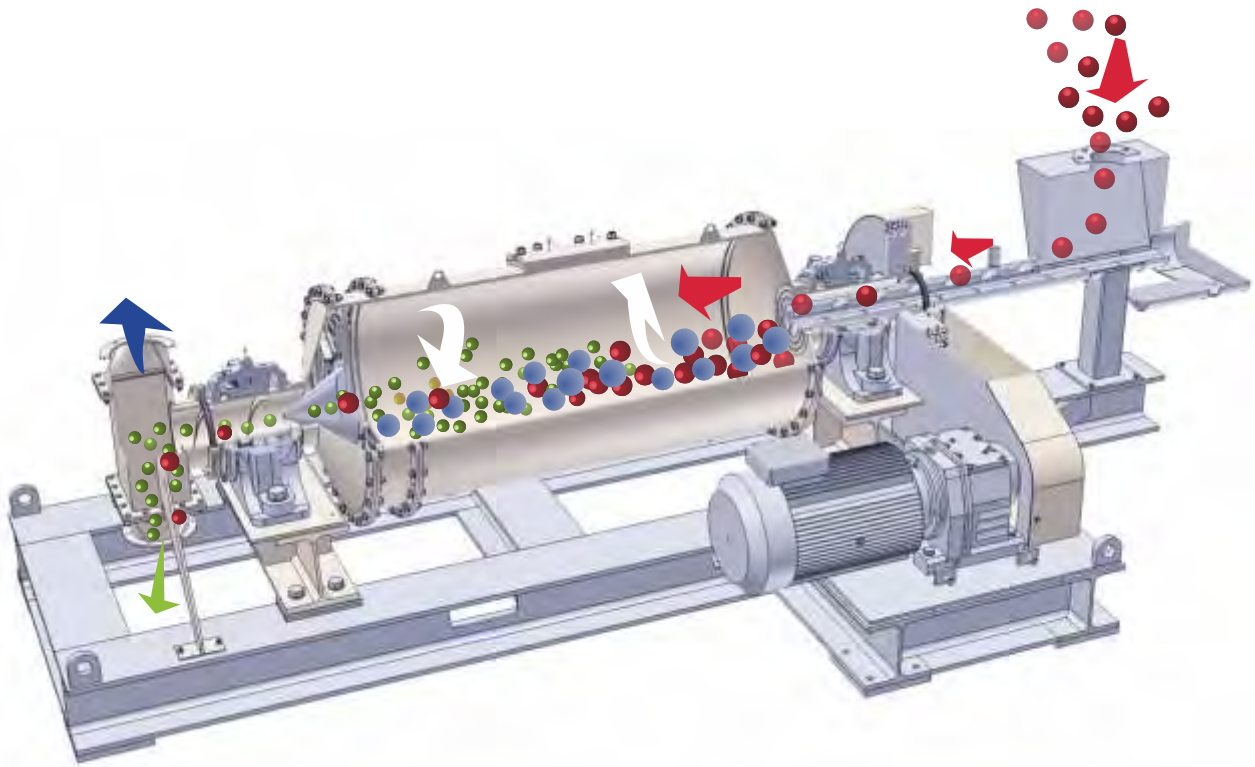


Steel Ball Mill with Steel Grinding Media

## BENEFITS

1. Wide fineness range between  $d_{98} < 2 \mu\text{m} - 300 \mu\text{m}$
2. High capacities due to advanced design
3. Long lifetime, low maintenance costs
4. Trouble-free, reliable operation
5. Tailor-made solutions available
6. Lab Sizes available

## OPERATING PRINCIPLE



■ Air Flow    ● Grinding Media    ■ Raw Material    ■ Ground Product



Steel Ball Mill for CaCO<sub>3</sub>



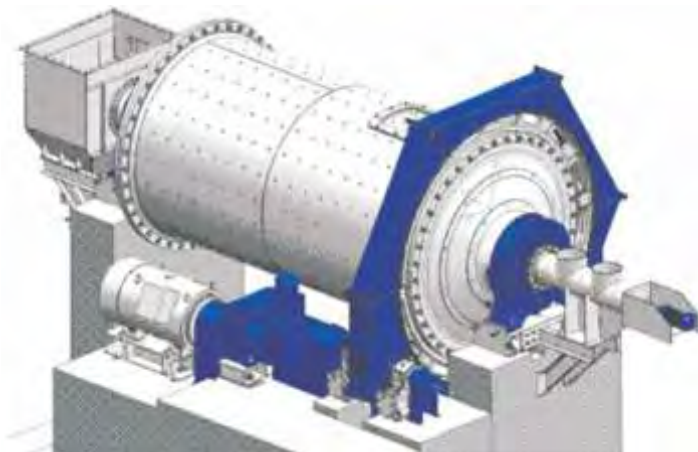
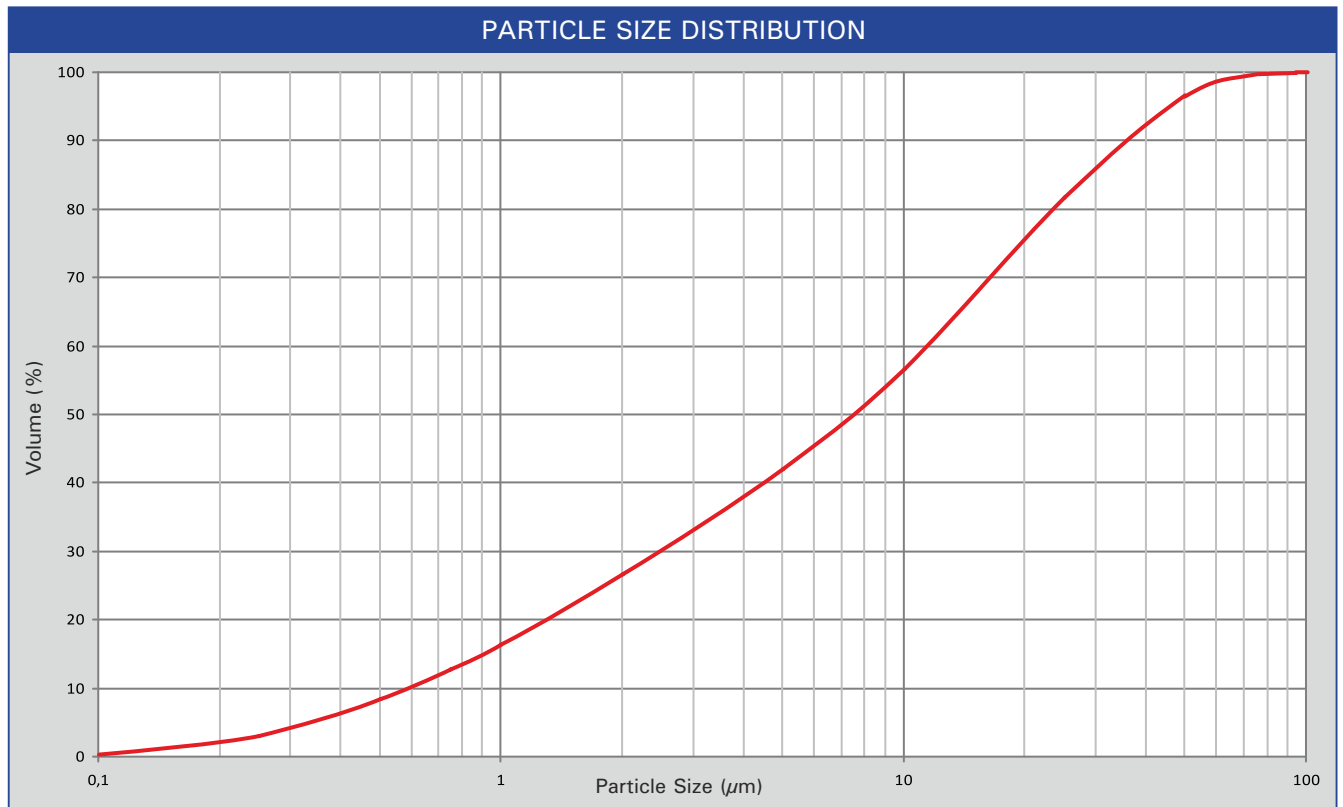
Steel Ball Mill for Barite



Steel Ball Mill for Calcined Clay

Technical Data		1630	1830	2045	2245	2455	2665	2870	3070
Diameter	[m]	1,6	1,8	2,0	2,2	2,4	2,6	2,8	3,0
Length	[m]	3,0	3,0	4,5	4,5	5,5	6,5	7,0	7,0
Fresh Feedrate	[t/h]	0,5 - 5,0	0,7 - 7,0	1,2 - 12	1,7 - 17	2,2 - 22	4,0 - 40	5,5 - 55	6,0 - 60
Installed Drive	[kW]	37,5 - 90	45 - 110	110 - 250	132 - 315	160 - 450	250 - 630	400 - 960	500 - 1.120
Fineness range	[ $\mu$ m]	2 - 300	2 - 300	2 - 300	2 - 300	2 - 300	2 - 300	2 - 300	2 - 300

All technical data are subject to changes




**ECUTEC Barcelona S.L.**  
 A Company of NETZSCH Group  
 Gran Via Corts Catalanes 641, 6e 4a  
 08010 Barcelona | Spain | CIF B61918405  
 Tel. +34 932 477 700 | Fax+34 932 477 701  
 office@ecutec.eu | [www.ecutec.eu](http://www.ecutec.eu)