

ecutec[®]

A Company of NETZSCH Group

SCIROCCO

Finest in Processing

AIR CLASSIFIER FOR FINE PRODUCTS



ECUTEK 's **SCIROCCO** air classifiers have been developed for the production of fines from 6 - 150 μm

The **SCIROCCO** types belong to the family of turbo classifiers with turbulent airflow, also called centrifugal classifiers. These classifiers achieve a very high yield at a low specific energy consumption. The solid design reflects ECUTEK's philosophy of building machines that last a very long time.

The **SCIROCCO** classifiers can be fed either by gravity or with the main air. For separations below 20 μm the product is introduced with the air from the bottom for optimum dispersion of the feed. Where coarser separations are required, it is possible to introduce feed from the top of the classifier and this configuration helps to reduce the energy consumption due to a reduction of the pressure drop.

The **SCIROCCO** can be supplied with a ceramic classifier wheel and the body lined with ceramics or polyurethane as wear protection for processing abrasive materials or to prevent iron contamination. The classifier rotor and the body can be made of stainless steel. The **SCIROCCO** head is also available for existing Pendular Roller Mills to improve product quality and quantity.



Classifying plant with
2 SCIROCCO 400SD



SCIROCCO 600SD for CaCO_3



SCIROCCO 200CD for abrasive products
with ceramic flaps

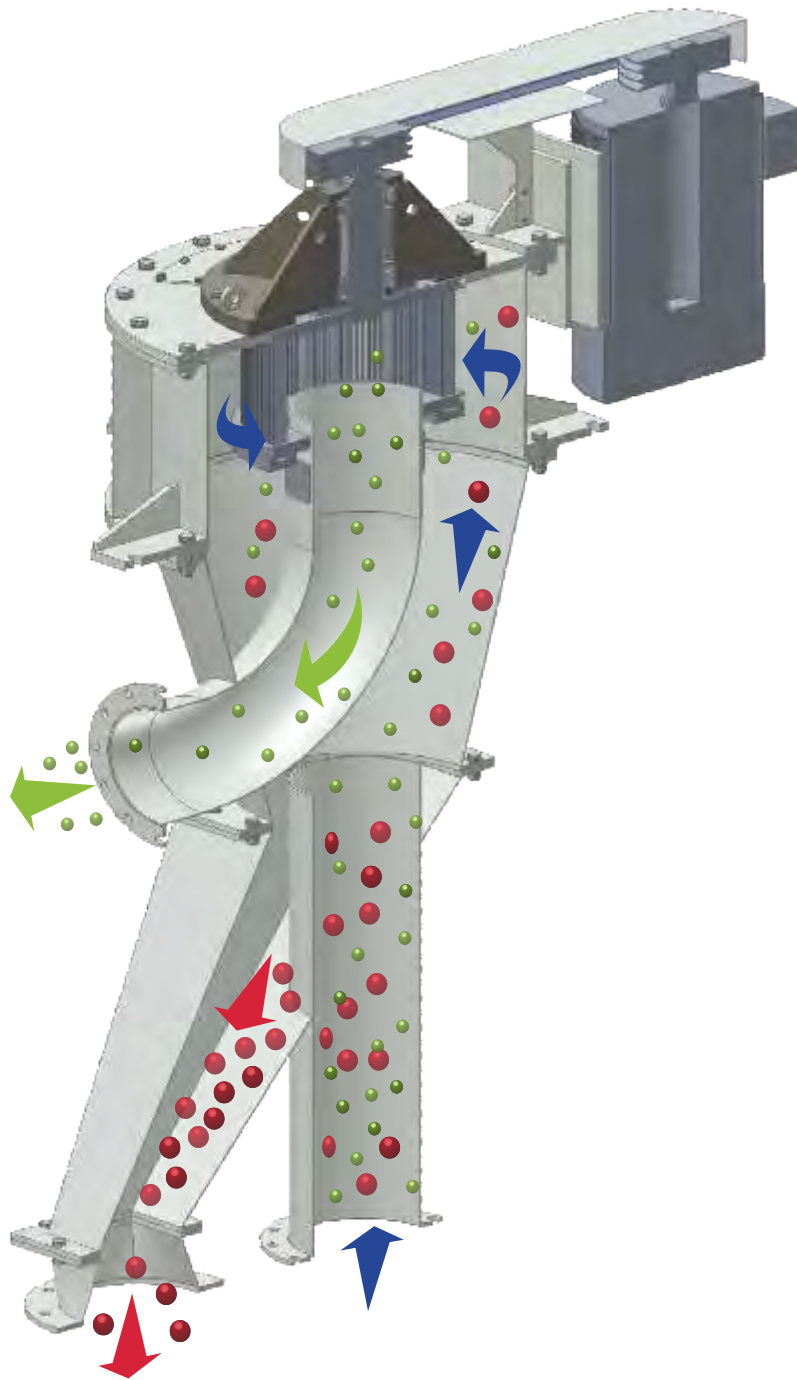


SCIROCCO with internal ceramic lining



SCIROCCO steel rotor

OPERATING PRINCIPLE



■ Air Inlet

■ Coarse

■ Fines

BENEFITS

1. Cut point down to $d_{99} < 6 \mu\text{m}$
2. Extremely reliable design
3. Low specific energy consumption
4. Low investment
5. Easy and quick maintenance resulting in low maintenance costs
6. For abrasive products: Ceramic rotor and ceramic lining / polyurethane lining
7. Stainless steel design available

TOP FEED



For coarser applications



SCIROCCO head for Pendular Roller Mill

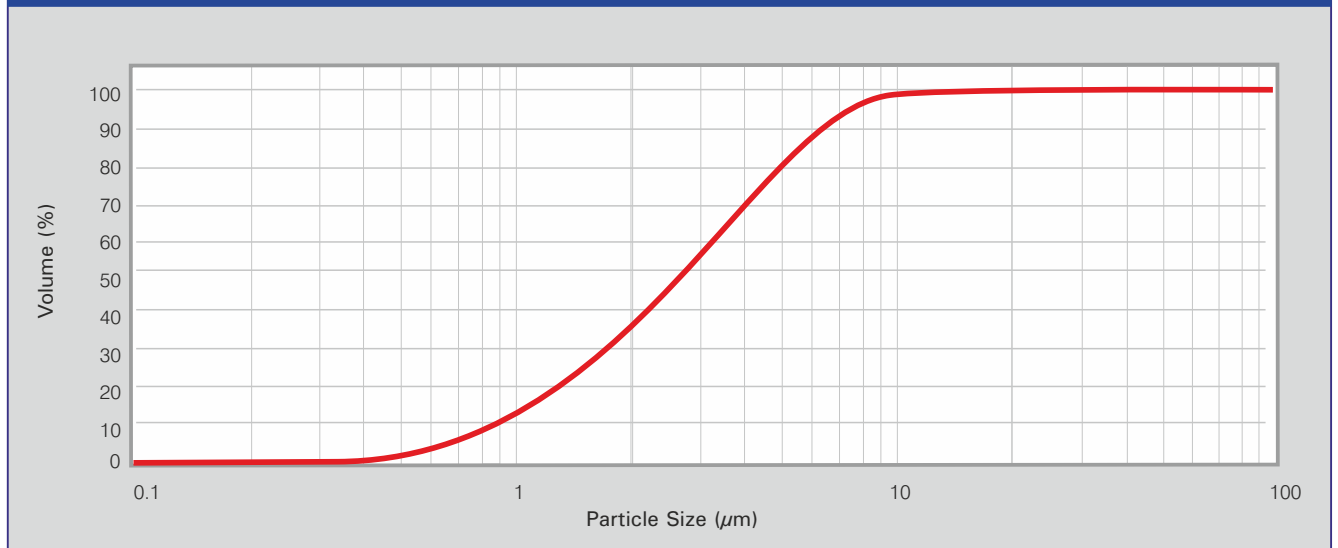


SCIROCCO for CaCO_3

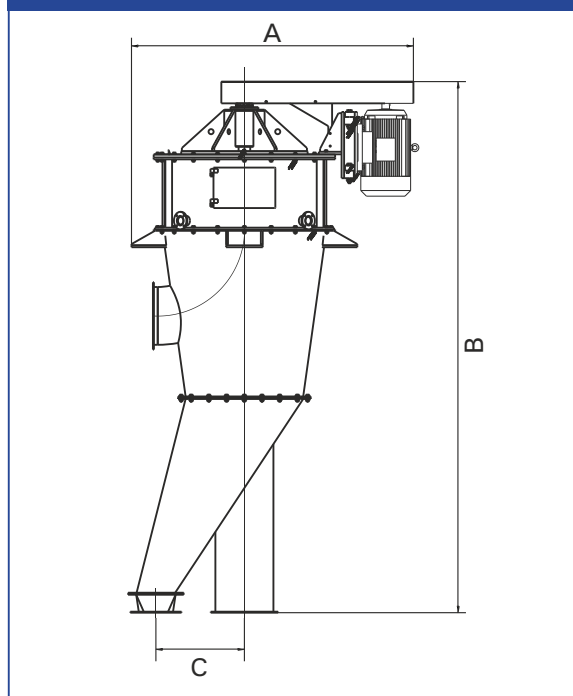
Technical Data		100	200	300	400	500	600	700	800	900	1.200
Air throughput approx.	[m³/h]	3.750	7.500	10.000	15.000	18.000	22.500	26.000	30.000	40.000	50.000
Feed rate approx.	[t/h]	2 - 3,8	4 - 7,5	7,5 - 10	7,5 - 15	15 - 18	11 - 22,5	18 - 25	15 - 30	30 - 40	25 - 50
Rotor speed approx.	[rpm]	4.600	3.250 - 4.300	2.000	2.500 - 3.000	1.500	2.000 - 2.500	1.200	1.550 - 2.150	750	1.000 - 1.750
Installed drive	[kW]	11 - 15	22 - 30	18,5	30 - 37	22	45 - 55	37	55 - 75	45	90 - 132
Fineness d_{98}	[μm]	4 - 50	4 - 50	12 - 150	4 - 60	12 - 150	6 - 90	12 - 150	6 - 90	12 - 150	8 - 150
A	[mm]	1.350	1.600	1.900	1.900	1.900	2.260	2.260	2.500	2.500	3.520
B	[mm]	2.020	2.040	2.040	3.200	3.230	4.200	4.220	4.780	4.780	5.910
C	[mm]	350	500	500	630	630	700	700	750	750	1.210

All technical data are subject to change

PARTICLE SIZE DISTRIBUTION



DIMENSIONAL DRAWING



ECUTEC Barcelona S.L.
 A Company of NETZSCH Group
 Gran Via Corts Catalanes 641, 6e 4a
 08010 Barcelona | Spain | CIF B61918405
 Tel. +34 932 477 700 | Fax+34 932 477 701
 office@ecutec.eu | www.ecutec.eu